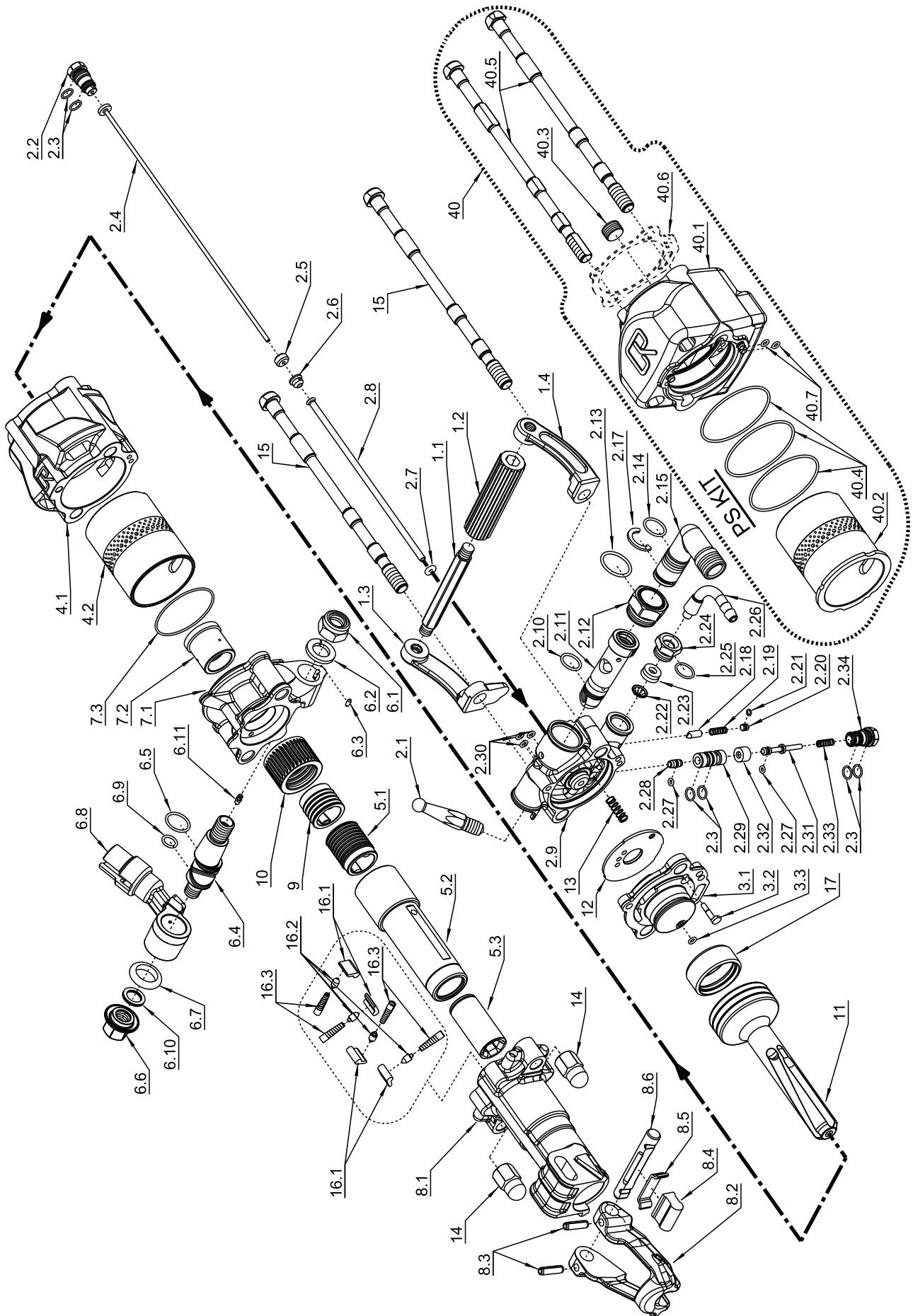


MINING & CONSTRUCTION DIVISION SPARE PARTS LIST



DI LIGHT CONFIGURATION ROCK DRILL

MULTI FUNCTION DRILL



It. Nr.	DESCRIPTION	Qty	Part Nr.	MFD 90 DI	MFD 90 MAX DI	MFD 90 MAX+ DI
	<i>ROCK DRILL MFD 90 DI LIGHT</i>		<i>89 307 01L</i>	●	—	—
	<i>ROCK DRILL MFD 90 MAX DI LIGHT</i>		<i>89 307 05L</i>	—	●	—
	<i>ROCK DRILL MFD 90 MAX PLUS DI LIGHT</i>		<i>89 307 13L</i>	—	—	●
1	D - HANDLE COMPLETE	1	89 307 01 006	●	●	●
1.1	CONNECTION STUD	1	307 01 010	●	●	●
1.2	HAND GRIP	1	307 01 022	●	●	●
1.3	R / HAND SIDE OF D HANDLE	1	307 01 023	●	●	●
1.4	L / HAND SIDE OF D HANDLE	1	307 01 024	●	●	●
2	BACKHEAD COMPLETE	1	89 307 01 001AL	●	—	—
2	BACHEAD MAX. COMPLETE	1	89 307 05 004AL	—	●	●
2.1	OPERATING LEVER	1	307 01 005	●	●	●
2.2	PLUG WATER VALVE	1	307 01 009	●	●	●
2.3*	O - RING	6	004 30 298	●	●	●
2.4	WATER TUBE L= 405 mm	1	307 06 015	●	—	—
2.4	WATER TUBE L= 425 mm	1	307 01 008	—	●	●
2.5*	RUBBER SEAL	1	307 01 033	●	●	●
2.6*	WATER TUBE PACKING	1	307 01 007	●	●	●
2.7*	O - RING	1	004 62 494	●	●	●
2.8	AIR TUBE	1	307 01 006	●	●	●
2.9	BACK HEAD	1	307 01 001	●	●	●
2.10*	O - RING	1	004 30 602	●	●	●
2.11	THROTTLE VALVE	1	307 01 019	●	●	●
2.12	ADAPTOR - AIR INLET	1	307 05 083	●	●	●
2.13*	O - RING	1	004 30 547	●	●	●
2.14*	O - RING	1	004 30 523	●	●	●
2.15	AIR GOOSE NECK SWIVEL BSP 1" (G1")	1	307 05 097	●	●	●
2.17	CIR CLIP	1	307 05 098	●	●	●
2.18	INDEX PIN	1	307 01 012	●	●	●
2.19	SPRING FOR INDEX PIN	1	031 06 008	●	●	●
2.20	SPACER	1	307 01 017	●	●	●
2.21*	O - RING	1	004 30 808	●	●	●
2.22	STRAINER	1	307 01 037	●	●	●
2.23*	WATER PRESSURE SEAL	1	046 53 110	●	●	●
2.24	WATER CONNECTION NIPPLE	1	302 00 032	●	●	●
2.25*	O - RING	1	004 30 328	●	●	●
2.26	WATER GOOSE NECK SWIVEL	1	307 05 012	●	●	●
2.27*	O - RING	2	004 30 584	●	●	●
2.28	WATER VALVE PIN	1	307 01 013	●	●	●
2.29	VALVE BUSH (AVAILABLE ONLY ON SPEC.REQ.)	1	307 01 015	●	●	●
2.30*	O - RING	3	046 52 040	●	●	●
2.31	WATER VALVE	1	307 01 014	●	●	●

It. Nr.	DESCRIPTION	Qty	Part Nr.	MFD 90 DI	MFD 90 MAX DI	MFD 90 MAX+ DI
2.32*	WATER VALVE GASKET	1	307 01 027	●	●	●
2.33	SPRING WATER VALVE	1	307 01 018	●	●	●
2.34	WATER VALVE ADAPTOR	1	307 01 016	●	●	●
3	DISTRIBUTOR COMPLETE	1	89 307 05 001	●	●	—
3	DISTRIBUTOR 1,25 COMPLETE	1	89 307 05 016	—	—	●
3.1	DISTRIBUTOR	1	307 05 011	●	●	—
3.1	DISTRIBUTOR 1,25	1	307 05 044	—	—	●
3.2	GUIDE PIN	1	307 01 041	●	●	●
3.3	O - RING	1	046 52 040	●	●	●
4	CYLINDER COMPLETE 45	1	89 307 01 023	●	—	—
4	CYLINDER COMPLETE - SILENCED	1	89 307 05 011	—	●	●
4.1	CYLINDER HOUSING 45	1	307 01 088	●	—	—
4.1	CYLINDER HOUSING	1	307 05 010	—	●	●
4.2	CYLINDER LINER 45	1	307 01 044	●	—	—
4.2	CYLINDER LINER - SILENCED	1	307 05 029	—	●	●
5	ROTATION CHUCK COMPLETE 45	1	89 307 01 019	●	—	—
5	ROTATION CHUCK COMPLETE	1	89 307 05 003	—	●	●
5.1*	CHUCK NUT	1	307 05 006	—	●	●
5.2	CHUCK 45	1	307 01 075	●	—	—
5.2	CHUCK	1	307 05 027	—	●	●
5.3	CHUCK INSERT	1	307 01 032	●	●	●
6	MOUNTING ATTACHMENT COMPLETE	1	89 307 05 025	●	●	●
6.1	NUT	1	022 25 015	●	●	●
6.2	WASHER LARGE	1	023 50 025	●	●	●
6.3	LOCATING PIN	1	007 93 176	●	●	●
6.4	MOUNTING STUD ECCENTRIC	1	307 05 088	●	●	●
6.5*	O-RING	1	006 96 110	●	●	●
6.6	NUT	1	307 05 089	●	●	●
6.7*	O-RING	1	307 05 091	●	●	●
6.8	MOUNTING ATTACHMENT ECCENTRIC 360 DEG.	1	307 05 090	●	●	●
6.9*	O-RING	1	046 52 110	●	●	●
6.10	WASHER NL	1	023 60 020	●	●	●
6.11*	NIPPLE	1	029 02 103	●	●	●
7	CENTRAL COVER COMPLETE	1	89 307 05 005	●	●	●
7.1	CENTRAL COVER	1	307 05 007	●	●	●
7.2*	INTERMEDIATE BUSH	1	307 00 009	●	●	●
7.3*	O - RING	1	006 46 313	●	●	●
8	FRONT HEAD COMPLETE	1	89 307 05 012	●	●	●
8.1	FRONT HEAD	1	307 01 074	●	●	●
8.2	STEEL RETAINER	1	307 05 036	●	●	●
8.3*	RETAINER PIN	2	006 91 793	●	●	●
8.4*	RUBBER MOUNTING	1	302 00 071	●	●	●
8.5	RETAINER PLATE	1	302 00 072	●	●	●
8.6	RETAINER BOLT	1	307 01 030	●	●	●

It. Nr.	DESCRIPTION	Qty	Part Nr.	MFD 90 DI	MFD 90 MAX DI	MFD 90 MAX+ DI
9*	RIFLE NUT	1	307 00 048	●	●	●
10	RATCHET RING (35 TEETH FOR MORE ROTATION)	1	307 01 045	●	●	●
11	PISTON 45 HWR	1	307 01 078	●	-	-
11	PISTON MAX - HWR	1	307 05 039	-	●	-
11	PISTON MAX PLUS HWR	1	307 05 049	-	-	●
12	MAIN VALVE	1	307 00 014	●	●	-
12	MAIN VALVE	1	307 05 045	-	-	●
13	SPRING MAIN VALVE	1	031 06 038	●	●	●
14	SIDE BOLT NUT	2	307 01 036	●	●	●
15	SIDE BOLT 45	2	307 01 147	●	-	-
15	SIDE BOLT	2	307 00 015	-	●	●
16	PAWL KIT COMPLETE	1	89 307 05 010	●	●	●
16.1*	PAWL	4	307 01 047	●	●	●
16.2*	PAWL PIN	4	307 01 043	●	●	●
16.3*	PAWL SPRING	4	307 01 073	●	●	●
17	SHOCK ABSORBER	1	307 05 015	●	●	-

* PARTS INCLUDED IN WEAR KIT 89 307 01 034

It. Nr.	DESCRIPTION	Qty	Part Nr.	MFD 90 DI	MFD 90 MAX DI	MFD 90 MAX+ DI
	PS POLYMER SILENCED KIT(ITEM 40) REPLACES ITEM 4 AND 15 FOR USE IN COAL MINES					
40	PS POLYMER SILENCED KIT	1	89 307 10 009	—	●	●
40.1	POLYMER HOUSING	1	307 10 001	—	●	●
40.2	CYLINDER LINER	1	307 10 004	—	●	●
40.3	POLYMER PIN	1	005 00 230	—	●	●
40.4	O-RING	3	007 10 283	—	●	●
40.5	SIDE BOLT	2	307 10 009	—	●	●
40.6	RUBBER SEAL ***	1	307 10 018	—	●	●
40.7	O - RING	2	046 52 040	—	●	●
	PARTS FOR HEXAGONAL 25X108 mm (1"x7/8") SHANK					
5.3	CHUCK INSERT	1	307 33 001	●	●	●
8.2	STEEL RETAINER	1	307 33 002	●	●	●
	PARTS FOR RIGHT ROTATION OPTION					
5.1	CHUCK NUT	1	307 05 006R	●	●	●
5.2	CHUCK 45	1	307 01 075R	●	—	—
5.2	CHUCK MAX	1	307 05 027R	—	●	●
8.1	FRONT HEAD	1	307 01 074R	●	●	●
9	RIFLE NUT	1	307 00 048R	●	●	●
10	RATCHET RING	1	307 01 045R	●	●	●
11	PISTON 45	1	307 01 078R	●	—	—
11	PISTON MAX	1	307 05 039R	—	●	—
11	PISTON MAX PLUS	1	307 05 049R	—	—	●

*** INSTALL IN CASE OF LEAKAGE OF AIR